

Features

- 50 Watts Peak Pulse Power per Line (tp=8/20µs)
- Protects Two I/O Lines
- Low Clamping Voltage
- Working Voltages : 3.3V
- Low Leakage Current
- IEC61000-4-2 (ESD) ±25kV (air), ±15kV (contact)
- IEC61000-4-4 (EFT) 40A (5/50ns)
- IEC61000-4-5 (Lightning) 4A (8/20µs)

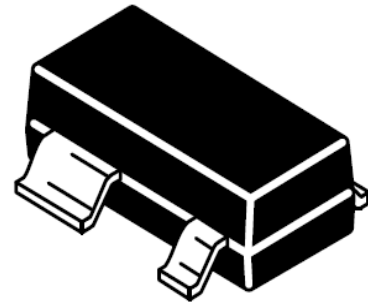
Applications

- USB Power & Data Line Protection
- Ethernet 10BaseT
- I²C Bus Protection
- Video Line Protection
- T1/E1 secondary IC Side Protection
- Microcontroller Input Protection
- ISDN S/T Interface
- WAN/LAN Equipment

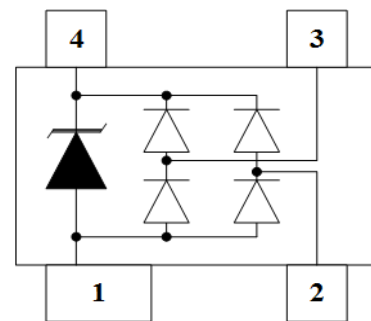
Mechanical Characteristics

- SOT-143 Package
- Molding Compound Flammability Rating : UL 94V-0
- Weight 10 Milligrams (Approximate)
- Quantity Per Reel : 3,000pcs
- Reel Size : 7 inch
- Lead Finish : Lead Free

Dimensions SOT-143



Pin Configuration



Absolute Maximum Ratings (T_{amb}=25°C unless otherwise specified)

Parameter	Symbol	Value	Unit
Peak Pulse Power (8/20µs)	P _{pp}	50	W
ESD per IEC 61000-4-2 (Air)	V _{ESD}	± 25	Kv
ESD per IEC 61000-4-2 (Contact)		± 15	
Operating Temperature Range	T _J	-55 to +125	°C
Storage Temperature Range	T _{STJ}	-55 to +150	°C

Electrical Characteristics (TA=25°C unless otherwise specified)

Part Number	Device Marking	V _{RWM} (V)	V _{BR} (V)	I _T (mA)	V _C @1A	V _C		I _R μA (Max)	C (Pf) (Typ.)
						(Max)	(@A)		
SR3.3	SLA	3.3	4	1	6.8	12.5	4	0.1	0.8

TYPIC CHARACTERISTICS

Figure 1. 8 x 20 μ s Waveform

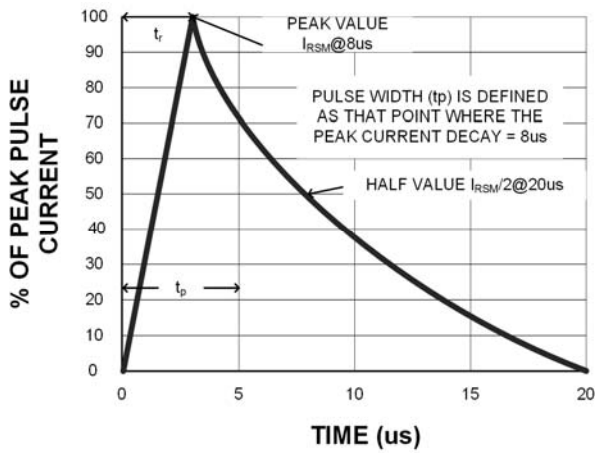


Figure 2. Power Derating Curve

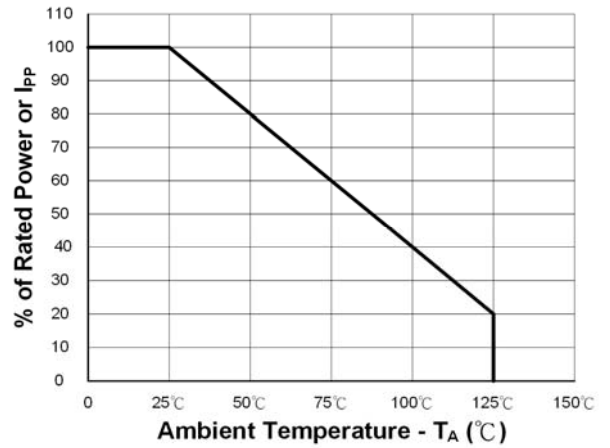
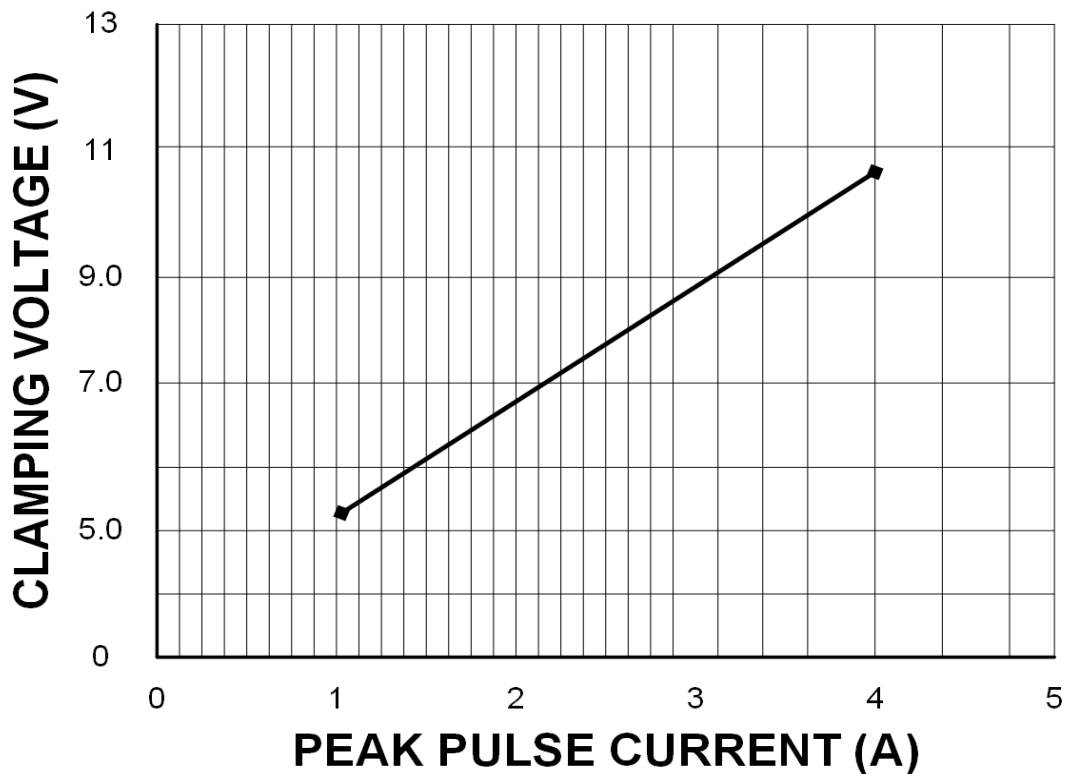
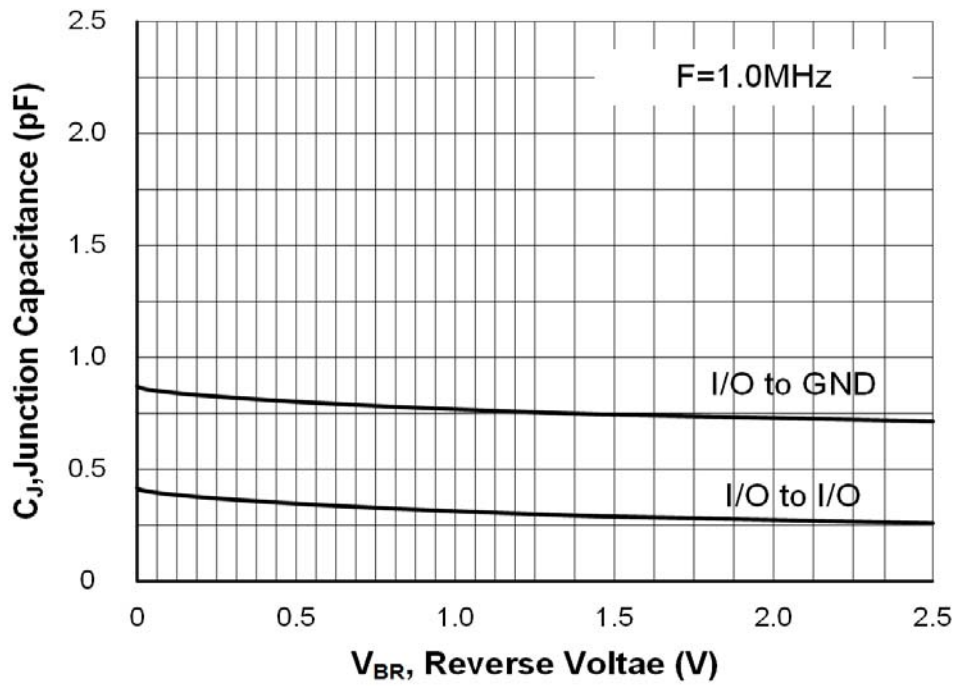


Figure 3. Clamping Voltage vs. Peak Pulse Current ($t_p=8/20\mu s$)

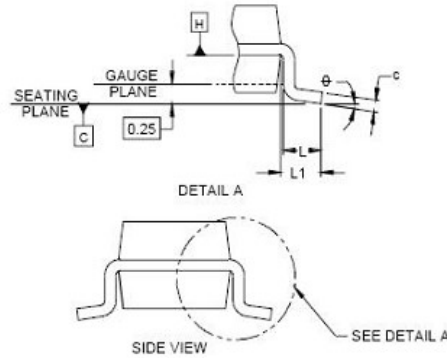
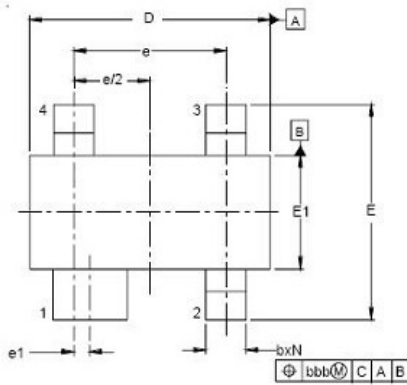


TYPIC CHARACTERISTICS

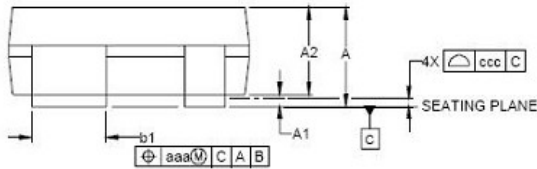
Figure 4. Typical Capacitance vs. Reverse Voltage



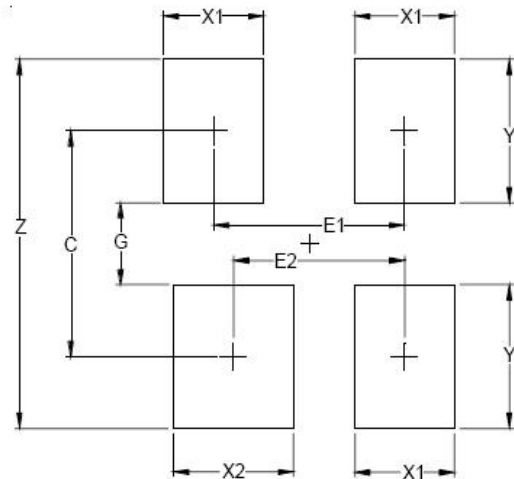
SOT-143 PACKAGE OUTLINE & DIMENSIONS



DIM	INCHES		MILLIMETERS	
	MIN	NOM/MAX	MIN	NOM/MAX
A	.031	-.048	0.80	- 1.22
A1	.000	-.008	0.013	- 0.15
A2	.029	.035	.042	0.75
b	.011	-.020	0.30	- 0.51
b1	.028	-.037	0.76	- 0.94
c	.003	-.008	0.08	- 0.20
D	.110	.114	1.20	2.90
E	.082	.093	1.04	2.10
E1	.047	.051	0.55	1.20
e	.075		1.92 BSC	
e1	.008		0.20 BSC	
L	.015	.020	0.24	0.40
L1	(.021)		(0.54)	
N	4		4	
Φ	0°	-	8°	0°
aaa	.009		0.15	
bbb	.008		0.20	
ccc	.004		0.10	



* SOLDERING FOOTPRINT



DIM	DIMENSIONS	
	INCHES	MILLIMETERS
C	(.087)	(2.20)
E1	.076	1.92
E2	.068	1.72
G	.031	0.80
X1	.039	1.00
X2	.047	1.20
Y	.055	1.40
Z	.141	3.60